

Quantity

L	material	mounting tool
<input type="checkbox"/> 17.3mm	<input type="checkbox"/> 1.4301 grain 240	<input type="checkbox"/> Yes
<input type="checkbox"/> 22.5mm	<input type="checkbox"/> 1.4301 grain 600	<input type="checkbox"/> No
<input type="checkbox"/>	<input type="checkbox"/>	
cabin wall protection		strong S strong C
<input type="checkbox"/> none	<input type="checkbox"/> Yes	<input type="checkbox"/> Yes
<input type="checkbox"/> click-on rosette	<input type="checkbox"/> No	<input type="checkbox"/> No
<input type="checkbox"/> plastic shim sleeve		

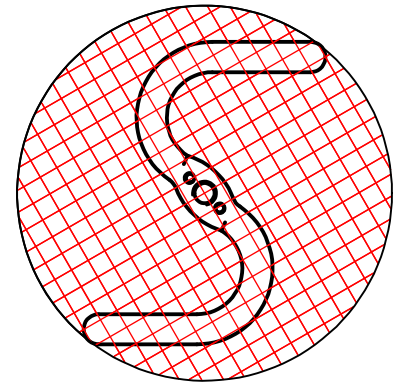
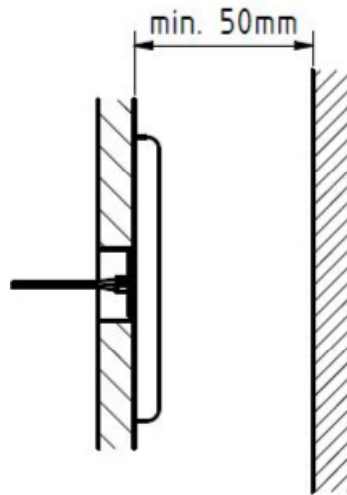
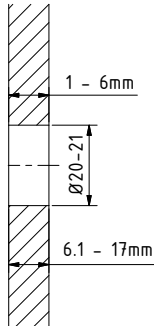
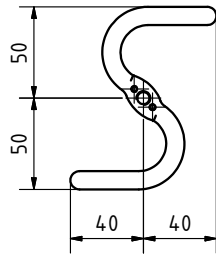
3-sided handrail with e-li
and curved ends

Ordernumber:

Commission number:

BeLi www.beli-gmbh.de

Authorised Distributor for UK & Ireland:
KAPOK 88
phone: +44 1949 843020
e-mail: handrails@kapok88.com



support area
120 cm²

required space for mounting

designation	Strong Spine S-shaped design
application:	subsequent back-filling of the rear cabin wall
mounting:	inside of the cabin
required installers:	1 lift mechanic
wall thickness:	1-17mm
material:	zinc coated and blue chromated steel
required space inside elevator shaft:	min. 50mm
support area on the rear cabin wall:	120cm ²
mounting tools:	Cone cut drill bit or step drill bit (Ø20mm) and Torx T10

application	
Strong Spine S-shaped design	
straight handrail	✓
curved handrail	✓
continuous handrail	✓
"wall-to-wall"	✓



www.beli-gmbh.de

Authorised Distributor for UK & Ireland:

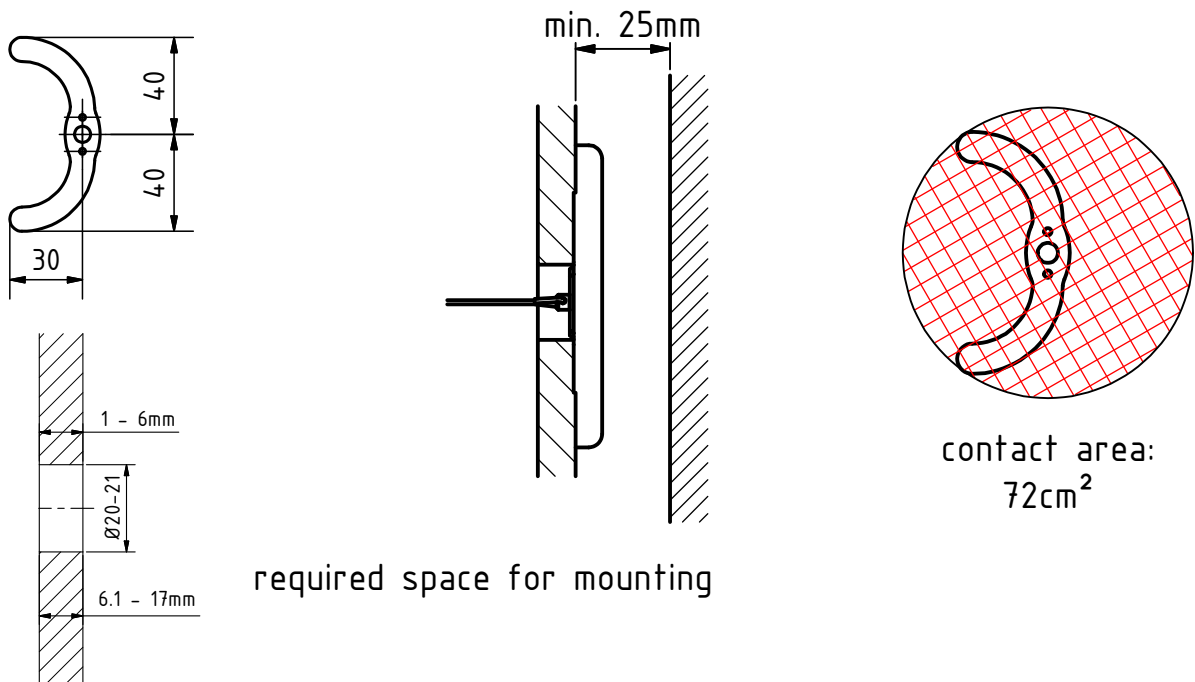
KAPOK 88

phone: +44 1949 843020

e-mail: handrails@kapok88.com

technical data sheet

strong S



required space for mounting

designation	Strong Spine C-shaped design
application:	subsequent back-filling of the rear cabin wall
mounting:	inside of the cabin
required installers:	1 lift mechanic
wall thickness:	1-17mm
material:	zinc coated and blue chromated steel
required space inside elevator shaft:	min. 25mm
support area on the rear cabin wall:	72cm ²
mounting tools:	Cone cut drill bit or step drill bit (Ø20mm) and Torx T10

application	
	Strong Spine C-shaped design
straight handrail	✓
curved handrail	✓
continuous handrail	✓
"wall-to-wall"	✓