

Checklist handrails with e-li

Before ordering, check the following points and call our distributor with questions at **+44.1949 843020** or contact him at **handrails@kapok88.com**

MEASURE

Use the measurements at the construction site and use the order forms:

- Which handrail type is required (e.g. straight or bent)?
- Enter the dimensions of the handrail into the form
- Which accessories are required (e.g. rosette, installation tool, etc.)
- Enter required number of pieces
- Take precise dimensions in mm

INFOGRAPHIC

B	L	material	mounting tool	cabin wall protection
<input type="checkbox"/> Ø35mm	<input type="checkbox"/> 17,3mm	<input type="checkbox"/> 1.4301 grain 240	<input type="checkbox"/> Yes	<input type="checkbox"/> none
<input type="checkbox"/> Ø38mm	<input type="checkbox"/> 22,5mm	<input type="checkbox"/> 1.4301 grain 600	<input type="checkbox"/> No	<input type="checkbox"/> click-on rosette
<input type="checkbox"/> Ø40mm	<input type="checkbox"/>	<input type="checkbox"/>		<input type="checkbox"/> plastic shim sleeve

strong B	strong C
<input type="checkbox"/> Yes	<input type="checkbox"/> Yes
<input type="checkbox"/> No	<input type="checkbox"/> No

All specifications are stated in mm.

Straight handrail with e-li

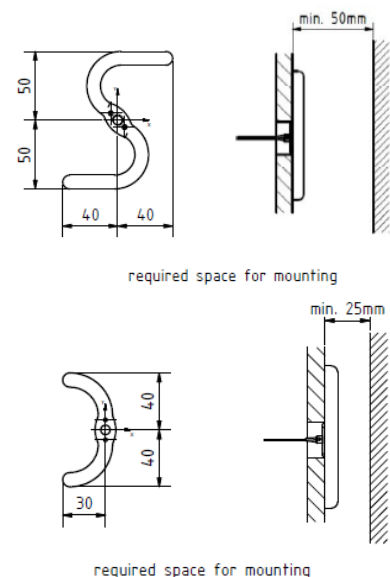
Ordernumber: _____

Commission number: _____

BeLi Tel: +49(0)671-37047 Fax: +49(0)671-391436 e-mail: info@beli-gmbh.de

Check the space in the shaft and on the rear cabin wall:

- If, for example, a U-profile or a arrester frame profile is mounted on the rear cabin wall?
- Depending on the space requirements, order the S-shaped or the C-shaped model from strong spine.



Miscellaneous

Check the status of the cabin walls and plan in for further e-li mounting brackets and accessories! Ensure there is a tool for handrail installation (e.g. stepped drill bit TiN coated Ø 20 mm).

Authorised Distributor for UK & Ireland:

KAPOK 88

KAPOK88 Ltd.

Richard B. Annable

phone +44.1949 843020

email handrails@kapok88.com