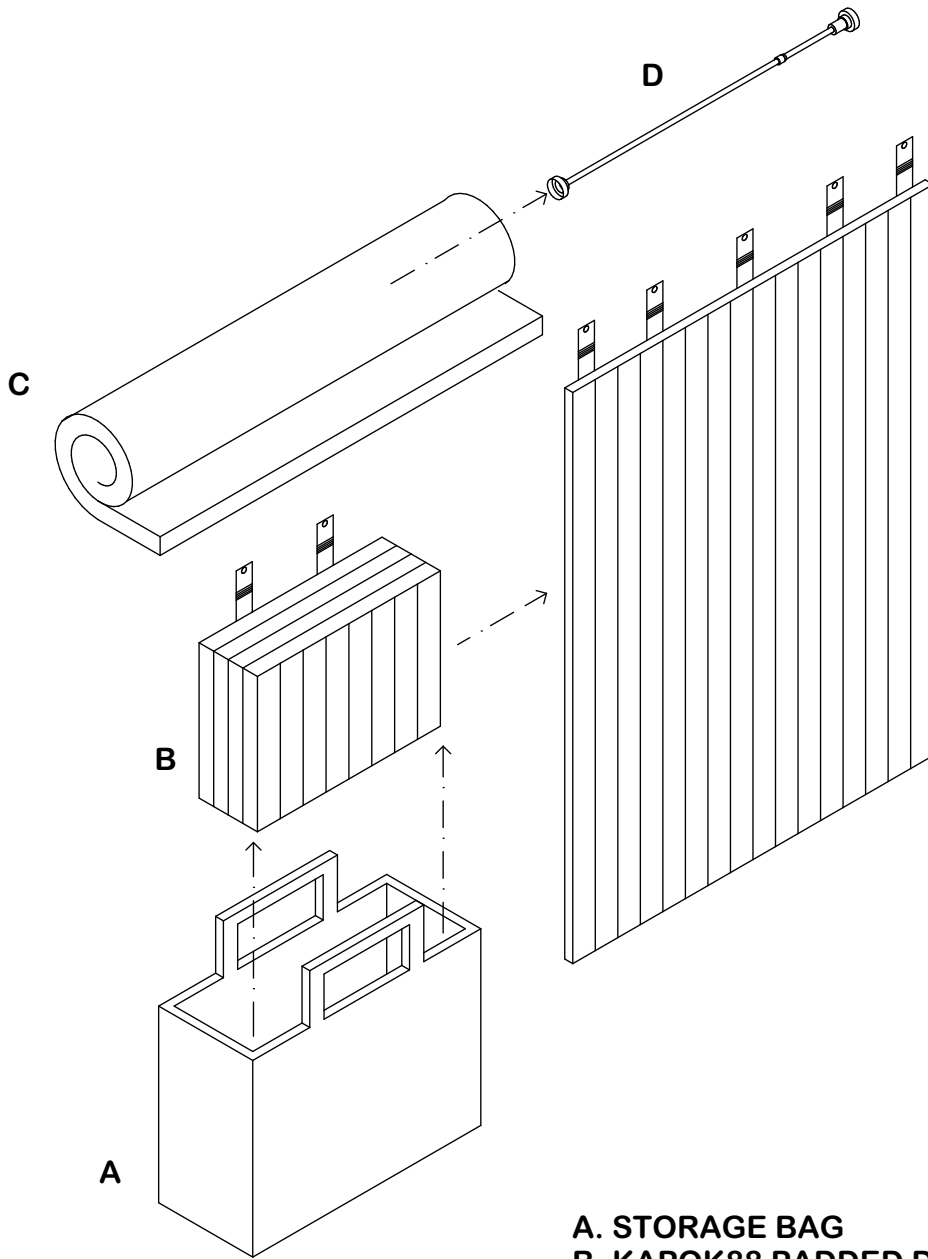


This set of tailor made Kapok 88 drapes is designed to give temporary protection to the lift interior when large or heavy items are being transported around the building. They are flame proof, water repellent and can be installed quickly and safely when these instructions are followed.

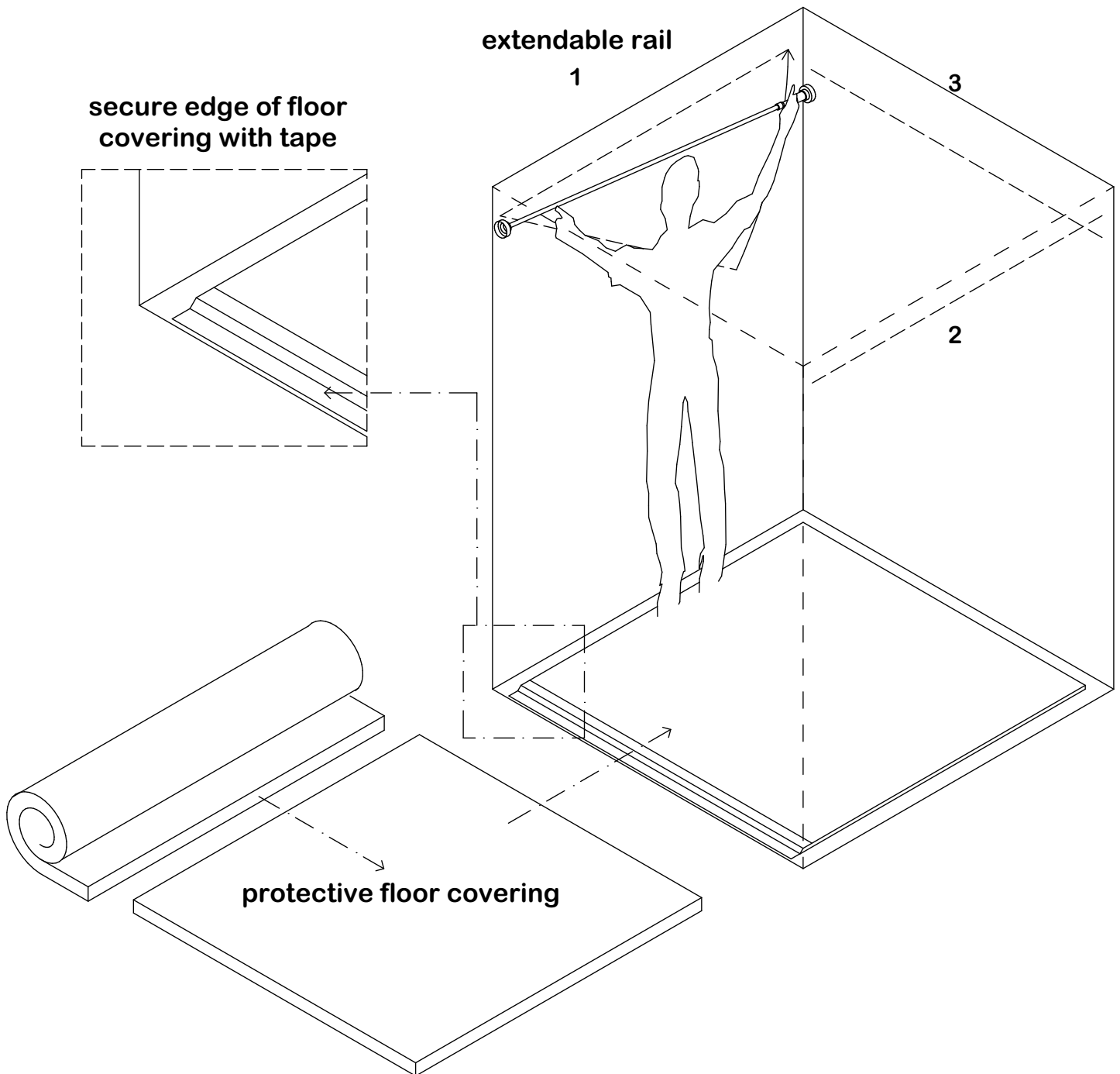


- A. STORAGE BAG
- B. KAPOK88 PADDED DRAPES
- C. PROTECTIVE FLOOR COVERING
- D. EXTENDABLE RAILS

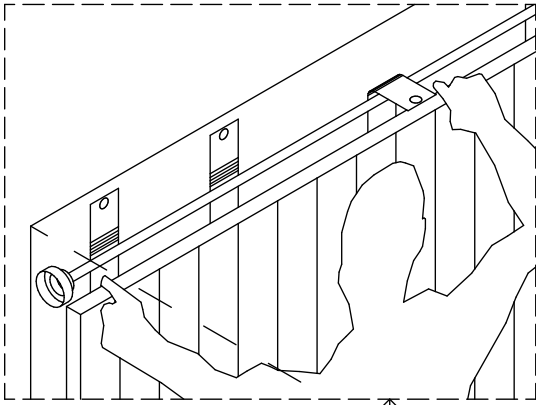
Unroll protective floor covering and lay inside lift

Install rails as per method statement

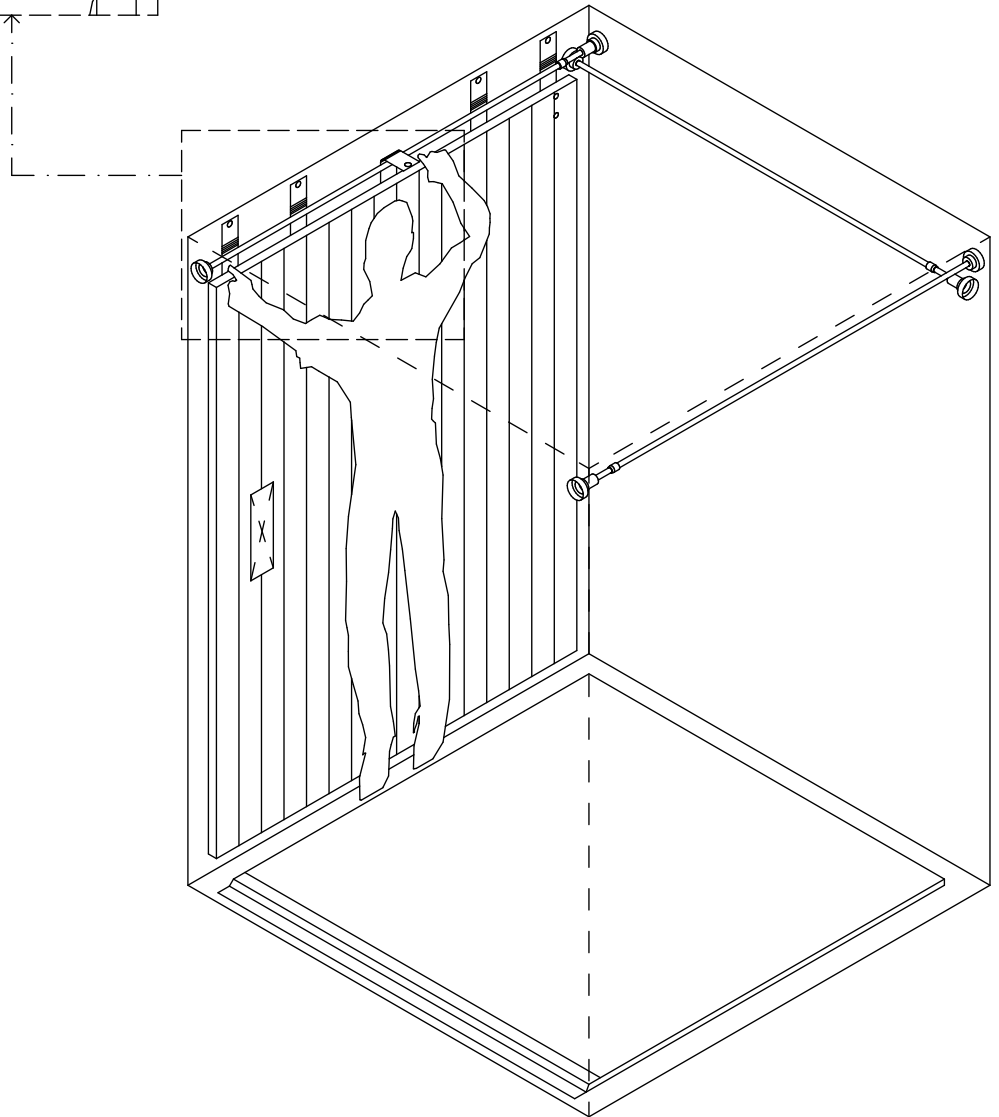
Rear rail (3) to be installed last, below side rails (1+2) to accommodate shorter drape



Remove drapes from bag - noting shorter drape for use on rear wall - open poppa stud straps



Hang drapes over the rails using the poppa stud straps - starting with centrally located poppa stud strap.



Complete for remaining drapes, ensuring clear PVC window leaves the push station visible and rails are placed high to ensure drapes do not rest on the floor.

